

Trap F & G • Spec Sheet



Trap-F
Rough Brass

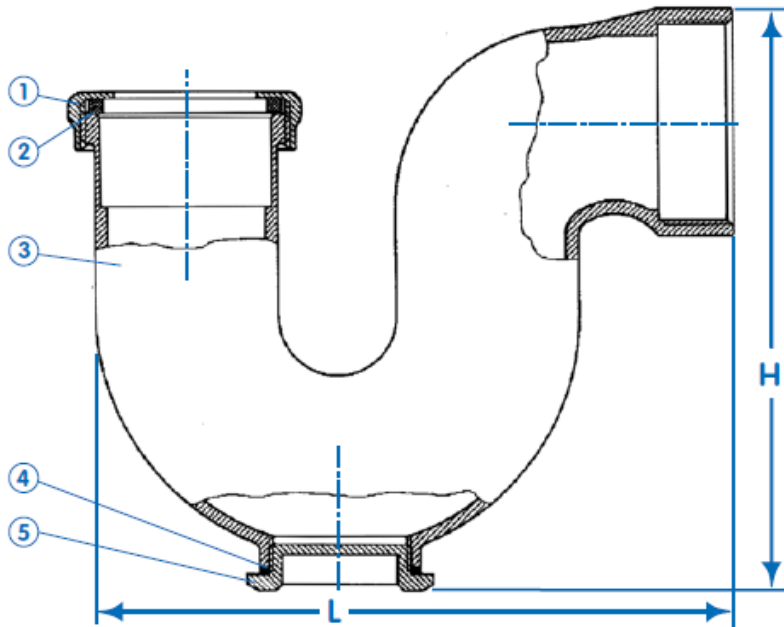
Trap-G
Chrome Plated

FEATURES & BENEFITS

- Cast Brass NY Trap
- IPS Connection
- With Cleanout
- Rough Brass or Chrome Plated Finish
- ISO 9001:2000

DIMENSIONS

Part #	Size	H	L
Trap-F Trap-G	1-1/2" FIP X 1-1/4"	5.00	5.95



MATERIAL SPECIFICATIONS

No.	Part	Material
1	Packing Nut	Brass
2	Packing	Rubber
3	Body	Brass
4	Packing	PTFE
5	Bonnet	Brass

